

MC-4+

Rugged telematics portal

The MC-4+ is Morey's flagship telematics device designed to meet the most demanding needs of light, medium, and heavy duty vehicle fleets around the globe—offering proven technology in a ruggedized platform built to withstand even the toughest tasks and environments.



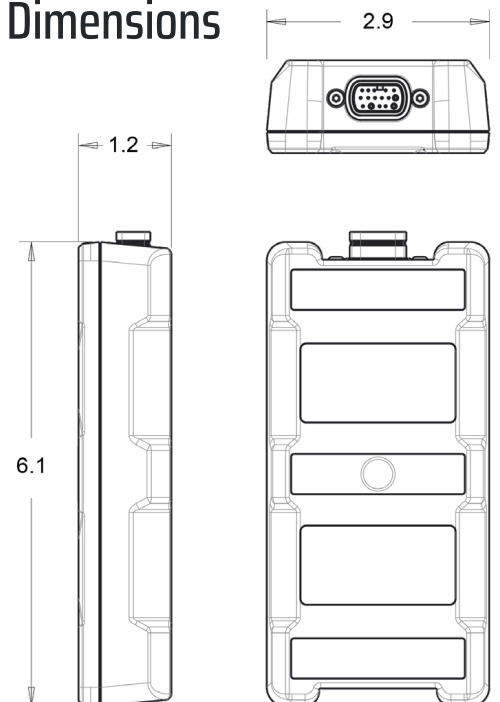
COMBAT HARSH CONDITIONS
WITH RUGGED IP69K SEALED HOUSING

PROTECT YOUR DATA
WITH INTERNAL BACKUP BATTERY

ACCURATELY TRACK AND LOCATE
YOUR ASSETS IN REAL-TIME

UPDATE WITH EASE
USING OTA FIRMWARE
AND CONFIGURATION

Dimensions



GENERAL

Communication Modes	LTE
Location Technology	GPS
Updates/Configuration	OTA

CELLULAR

Operating Bands	AT&T 4G LTE CAT 1 With 3G Fallback
Data Communication	SMS, UDP
Antennas	Internal Cell/GPS or External Cell/GPS

GPS

Location Technology	GPS/QZSS, GLONASS
Enhancement Capabilities	Galileo, BeiDou
Tracking Sensitivity	-167 dBm
Acquisition Sensitivity	-148 dBm
Position Accuracy	2.5m
Hot Start Acquisition	~1 Sec
Update Rate	1Hz

I/O

Digital Inputs	Up to 6
Digital Outputs	Up to 2
Analog Inputs	1
Diagnostic Port	USB
Status LEDs	4 (Red, Amber, Green, Blue) With Twilight Sensor

PHYSICAL SPECIFICATION

Dimensions	155 x 75 x 31mm (6.1 x 2.9 x 1.2")
Weight	344 g (12.1 oz)
Harness Connector	16-pin High Density
Other	2 External Female SMA Connectors (Optional)

ELECTRICAL

Operating Voltage	12V & 24V Systems
Backup Power	550mA or 1150mA Battery

ENVIRONMENTAL

Operating Temperature	-40° to 85°C
Storage Temperature	-40° to 85°C
Humidity	90% RH @ 38°C
Shock & Vibration	SAE J1455
Dust & Water Ingress	IP69K Seal Rated, Level 1 & 2 Pressure Wash

INTERFACES

Heavy Duty Truck	J1708, J1939 (Up to 2 Channels)
Light Duty Vehicle	OBD-II: J1850 VPW & PWM, ISO9141-2, KWP2000, ISO-15765
Bluetooth	4.2 BLE, Bluetooth Classic 2.1

CERTIFICATIONS

AT&T 4G LTE, PTCRB, FCC/IC, CISPR 25 Class 3, RoHS Compliant
--

SEE ADDITIONAL MC-4E+ PAGE FOR IMAGE AND DIMENSIONS OF EXTERNAL ANTENNA VERSION.

MC-4E+

External antenna version

