

EYE Beacon

BLE ID Beacon

With a robust waterproof casing and extended-lifetime battery, our certified Bluetooth Low Energy ID beacon is designed to help keep an eye on your assets no matter the environment. And with fast & easy configuration and integration, you save precious time, resources and ensure accountability. Perfect for traceability use cases: delivery tracking, logistics (trailers, containers), agriculture (tractor attachments), construction (tools, inventory), warehouses, hospitals, transport hubs & more.



Highlights

- **BLUETOOTH 4.2 COMPLIANT, BLUETOOTH 5.2 CERTIFIED**
- **IP67 CASING WITH DUAL MOUNTING POINTS**
- **INTUITIVE MOBILE APP FOR CONFIGURATION, DATA SCANNING AND OTA UPDATES**
- **UP TO 80 METER CONNECTIVITY RANGE VIA BLUETOOTH**
- **SUPPORTS IBEACON AND EDDYSTONE PROTOCOLS**

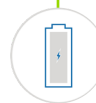
Features



Waterproof

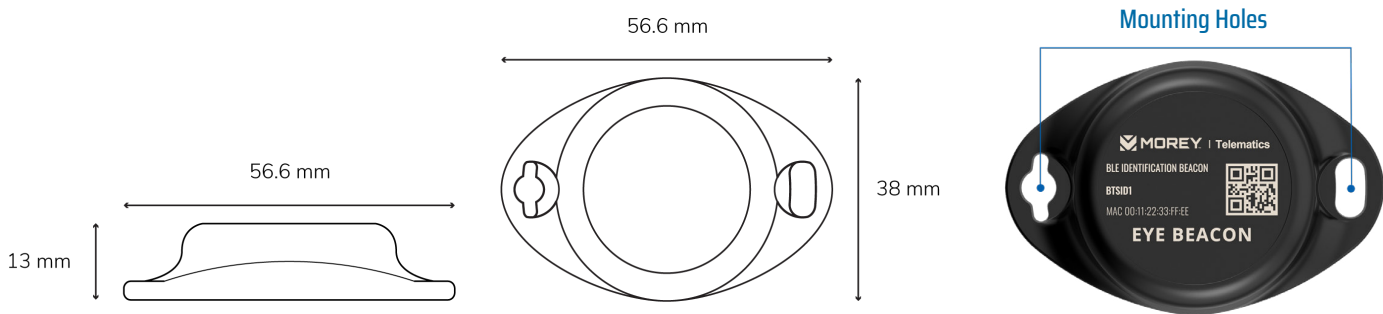


Long Range



Up to 10+ Years Battery Life

Dimensions & Mounting



FUNCTIONALITIES

Beacon ID, LED

PHYSICAL

Dimensions	56.6 mm x 38 mm x 13 mm
Weight	18 g

BATTERY & POWER

Model	CR2450
Type	Lithium, Manganese Dioxide (Li/MnO ₂)
Total Capacity	600 mAh
Replaceable	No
Battery Life (Tx=2 dBm; interval: 3 s)	5+ years
Battery Life (Tx=2 dBm; interval: 10 s)	10+ years

ELECTRONIC

Microcontroller	ST Microelectronics BlueNRG-2
Quartz Crystals	32.768 kHz, 16 MHz
Bluetooth Operating Frequency	2.402 - 2.480 GHz
Bluetooth Antenna Gain (Peak)	1.58dBi

CONNECTIVITY

Bluetooth	Bluetooth 4.2 compliant, Bluetooth 5.2 certified
Range	80 m
Available Transmission Power Levels	Up to 8 dBm
Sensitivity	-88 dBm

CASING

Protection	IP67
Mounting	Two mounting holes
Customization	Custom logo upon request*

*Special conditions

ENVIRONMENTAL

Humidity (Non-condensing)	From 0% to 100%
Operational Temperature*	-20°C / +60°C (-4°F / +140°F)

*Possible to have -40°C / +85°C (-40°F / +185°F)

COMPLIANCE & COMPATIBILITY

Certifications	FCC
Protocols	iBeacon, Eddystone, Teltonika